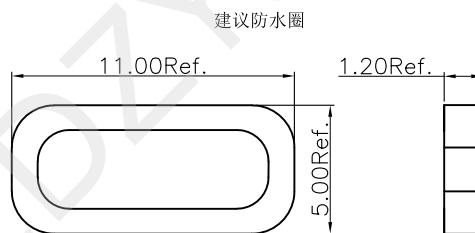
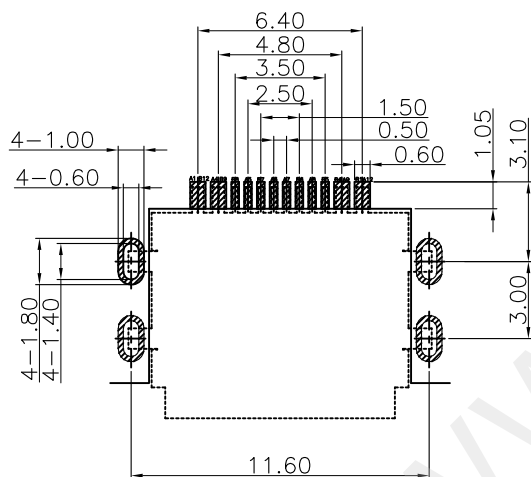


A1	GND	B12	GND
A4	VBUS	B9	VBUS
A5	CC1	B8	SBU2
A6	DP1	B7	DN2
A7	DN1	B6	DP2
A8	SBU1	B5	CC2
A9	VBUS	B4	VBUS
A12	GND	B1	GND
PIN	SIGNAL NAME	PIN	SIGNAL NAME



1: 材料: 黑色硅胶, 符合ROHS环境管理物质.
2: 尺寸: 外径:5X11, 内径:3X9, 胶边厚:1.0, 胶边高:1.5

NOTES:

SPECIFICATION:

- CURRENT RATING: 5A MAX.
- VOLTAGE: 100 VAC
- TEMPERATURE RANGE: -40 °C ~ 85 °C
- CONTACT RESISTANCE: 40 MILLIONHM MAX.
- INSULATION RESISTANCE: 100 MEGOHMS MIN.
- INSERTION FORCE : 5N~20N
- UNMATING FORCE: 8N~20N
- DURABILITY: 10,000 CYCLES
- Water Resistance: IPX7



深圳市华宇创精密电子有限公司

TOLERANCE: X.X ±0.30 X.XX ±0.25 X.XXX ±0.15 X' ±2' X.X' ±0.5'	DRAWN BY : 陈一鸣	DATE : 2014-02-23	PART NAME: USB TYPE C 防水母座16P 沉板1.8 四脚插板带柱 L=8.0mm
	CHECKED BY: 马跃	DATE : 2014-02-23	PART NO. HYC689-USBC16-180
UNIT: mm [inch] SCALE:1:1 SIZE: A4	APPROVED BY: 邱敏	DATE : 2014-02-23	DRAW NO: HYC-2603140957
			SHEET NO. 1 OF 1